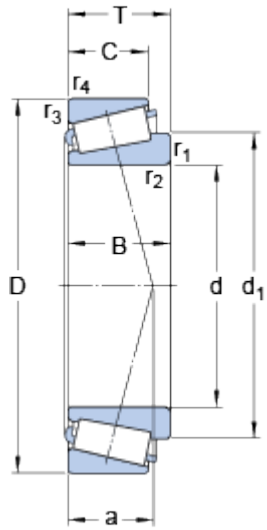


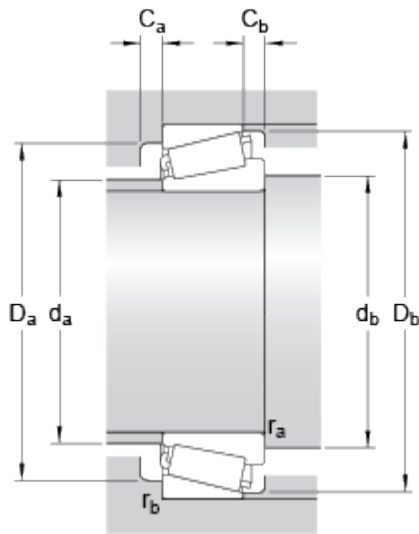
# LM 29749/710/Q

## Dimensions



d		38.1	mm
D		65.088	mm
T		18.034	mm
d <sub>1</sub>	≈	51.8	mm
B		18.288	mm
C		13.97	mm
r <sub>1,2</sub>	min.	2.3	mm
r <sub>3,4</sub>	min.	1.3	mm
a		15	mm

## Abutment dimensions



d <sub>a</sub>	max.	44	mm
d <sub>b</sub>	min.	47	mm
D <sub>a</sub>	min.	58	mm
D <sub>a</sub>	max.	58	mm
D <sub>b</sub>	min.	61	mm
C <sub>a</sub>	min.	2	mm
C <sub>b</sub>	min.	4	mm
r <sub>a</sub>	max.	2	mm
r <sub>b</sub>	max.	1.3	mm

## Calculation data

Basic dynamic load rating	C	42.9	kN
Basic static load rating	C <sub>0</sub>	57	kN
Fatigue load limit	P <sub>u</sub>	6.1	kN
Reference speed		7500	r/min
Limiting speed		11000	r/min
Calculation factor	e	0.33	
Calculation factor	Y	1.8	

Calculation factor

$Y_0$

1

**Mass**

---

Mass bearing

0.235

kg